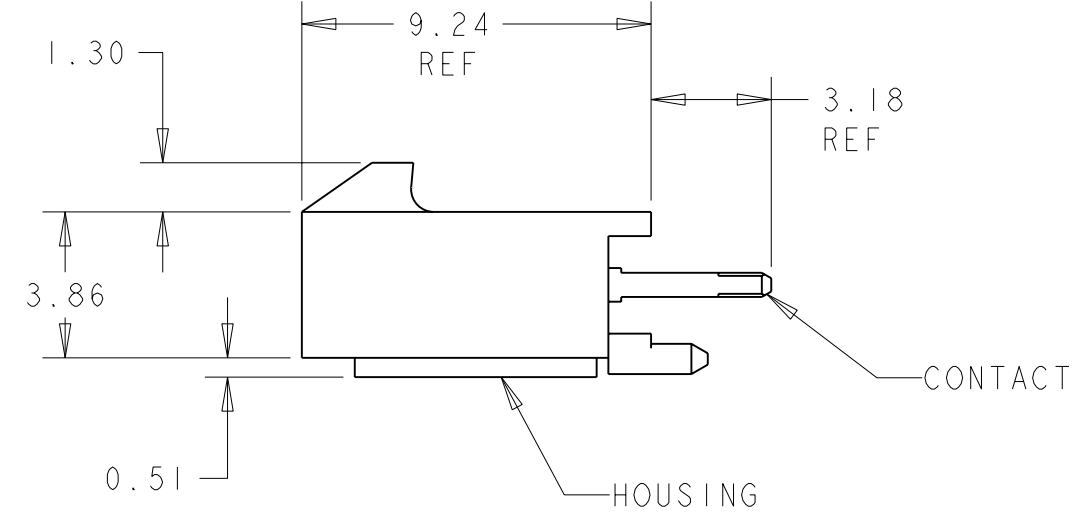
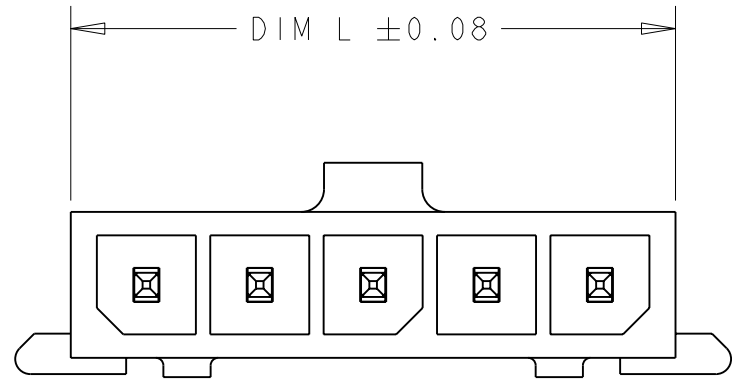
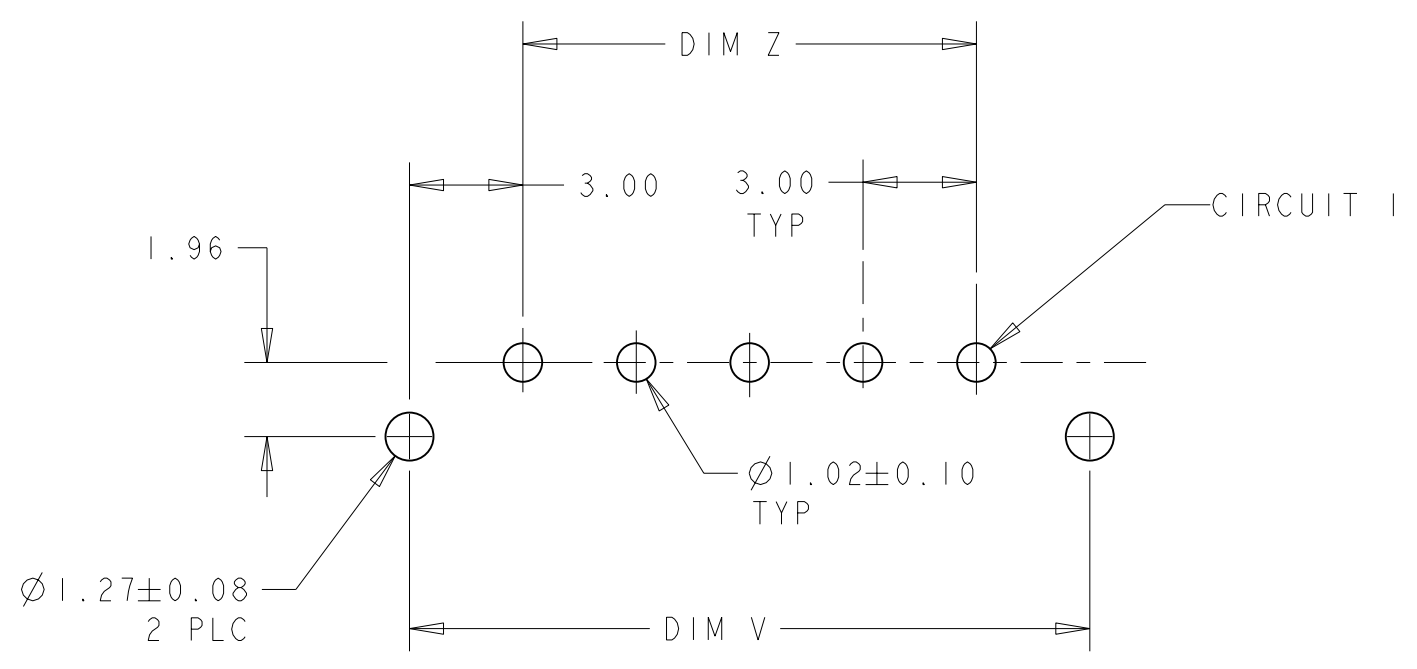
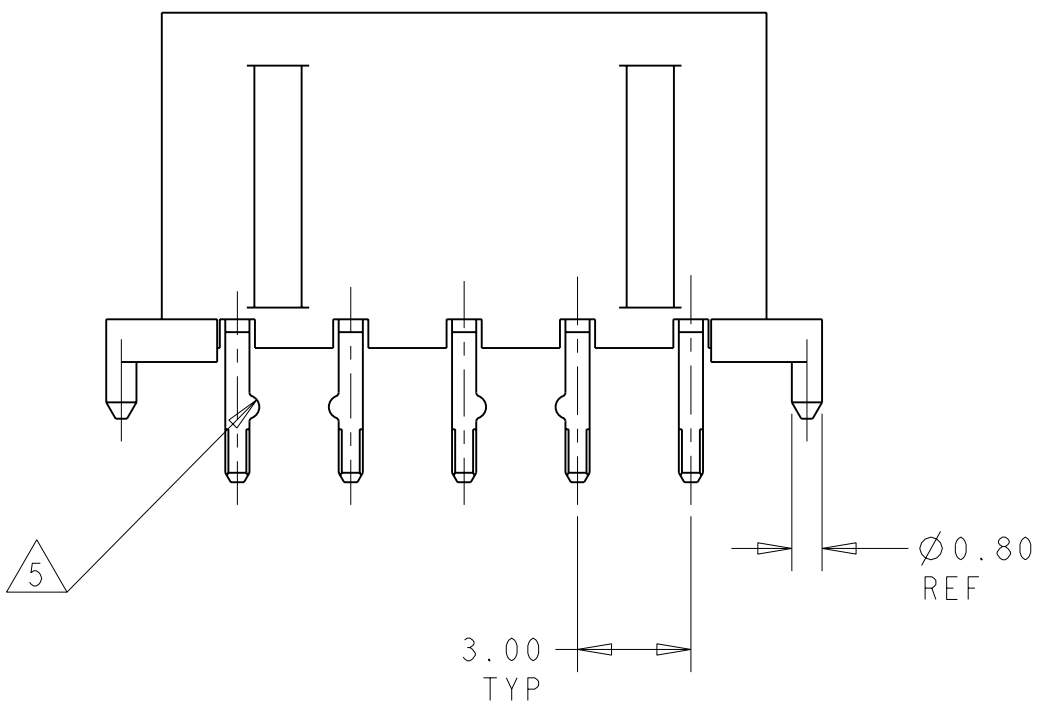


THIS DRAWING IS UNPUBLISHED. RELEASED FOR PUBLICATION .19
 © COPYRIGHT 19 BY AMP INCORPORATED. ALL RIGHTS RESERVED.

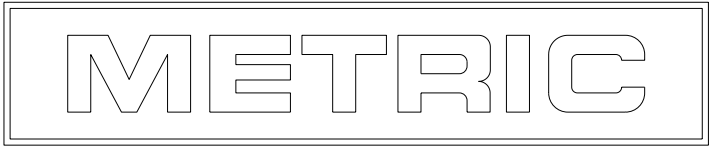
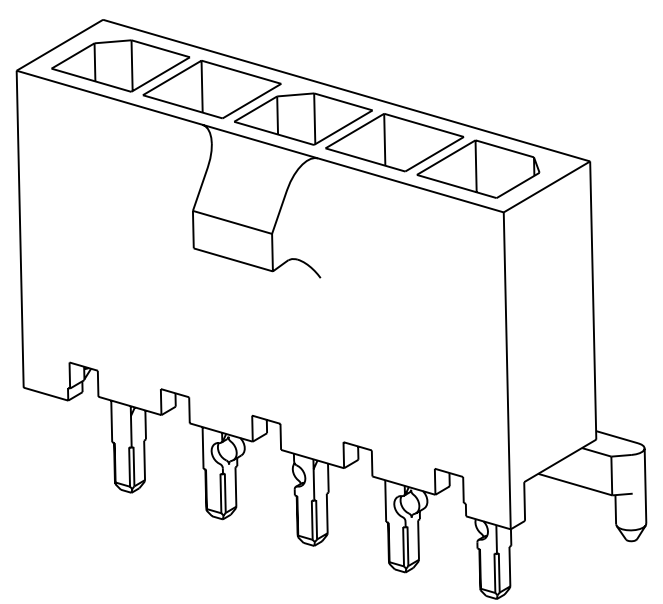
LOC		DIST		REVISIONS			
P	LTR	DESCRIPTION	DATE	DWN	APVD		
	A	RELEASED PER 063B-0205-05	23-APR-05	KW	CJ		



- 1 MATERIAL: CONTACTS - BRASS
HOUSING - UL 94V-0 RATED HIGH TEMP NYLON, COLOR BLACK.
- 2 PLATING: CONTACTS - 0.38µm MINIMUM GOLD ON MATING END,
2.54µm MINIMUM TIN LEAD ON SOLDER TAILS, BOTH OVER
1.27µm MINIMUM NICKEL.
- 4 RECOMMENDED PC BOARD THICKNESS OF 1.57.
- 5 RETENTION BUMP FEATURES FACE EACH OTHER, TYPICAL
ALL CONFIGURATIONS.
- 6 PLATING: CONTACTS - 0.38µm MINIMUM GOLD ON MATING END,
2.54µm MINIMUM MATTE TIN ON SOLDER TAILS, BOTH OVER
1.27µm MINIMUM NICKEL.



PCB LAYOUT COMPONENT SIDE 4



6	1,2,11,12	33.00	39.14	37.00	12	3-1445084-2
6	1,2,9,10	30.00	36.14	34.00	11	3-1445084-1
6	1,2,9,10	27.00	33.14	31.00	10	3-1445084-0
6	1,2,7,8	24.00	30.14	28.00	9	2-1445084-9
6	1,2,7,8	21.00	27.14	25.00	8	2-1445084-8
6	1,2,5,6	18.00	24.14	22.00	7	2-1445084-7
6	1,2,5,6	15.00	21.14	19.00	6	2-1445084-6
6	1,2,3,4	12.00	18.14	16.00	5	2-1445084-5
6	1,2,3,4	9.00	15.14	13.00	4	2-1445084-4
6	1,2	6.00	12.14	10.00	3	2-1445084-3
6	1,2	3.00	9.14	7.00	2	2-1445084-2
2	1,2,11,12	33.00	39.14	37.00	12	1-1445084-2
2	1,2,9,10	30.00	36.14	34.00	11	1-1445084-1
2	1,2,9,10	27.00	33.14	31.00	10	1-1445084-0
2	1,2,7,8	24.00	30.14	28.00	9	1445084-9
2	1,2,7,8	21.00	27.14	25.00	8	1445084-8
2	1,2,5,6	18.00	24.14	22.00	7	1445084-7
2	1,2,5,6	15.00	21.14	19.00	6	1445084-6
2	1,2,3,4	12.00	18.14	16.00	5	1445084-5
2	1,2,3,4	9.00	15.14	13.00	4	1445084-4
2	1,2	6.00	12.14	10.00	3	1445084-3
2	1,2	3.00	9.14	7.00	2	1445084-2
FINISH	CON POS W/RET BUMP 5	DIM Z	DIM V	DIM L	NO. OF POSN	PART NUMBER

THIS DRAWING IS A CONTROLLED DOCUMENT FOR AMP INCORPORATED. IT IS SUBJECT TO CHANGE AND THE CONTROLLING ENGINEERING ORGANIZATION SHOULD BE CONTACTED FOR THE LATEST REVISION.

DWN J. ROOT 10OCT2000
 CHR K. WHITAKER 17-APR-2001
 APVD C. JONES 17-APR-2001

AMP Tyco Electronics
 Harrisburg, PA 17105-3608

NAME VERTICAL THRU HOLE HEADER ASSY,
 0.38 MIC GOLD CONTACTS W/PCB PLZN
 FEATURE, SGL ROW, MICRO MATE-N-LOK™

SIZE A2 CAGE CODE 00779 DRAWING NO. C=1445084

MATERIAL 1 TOLERANCES UNLESS OTHERWISE SPECIFIED:
 0 PLC ±
 1 PLC ±
 2 PLC ±0.13
 3 PLC ±
 4 PLC ±
 ANGLES ±
 FINISH SEE TABLE

WEIGHT -

CUSTOMER DRAWING SCALE 5:1 SHEET 1 OF 1 REV A